

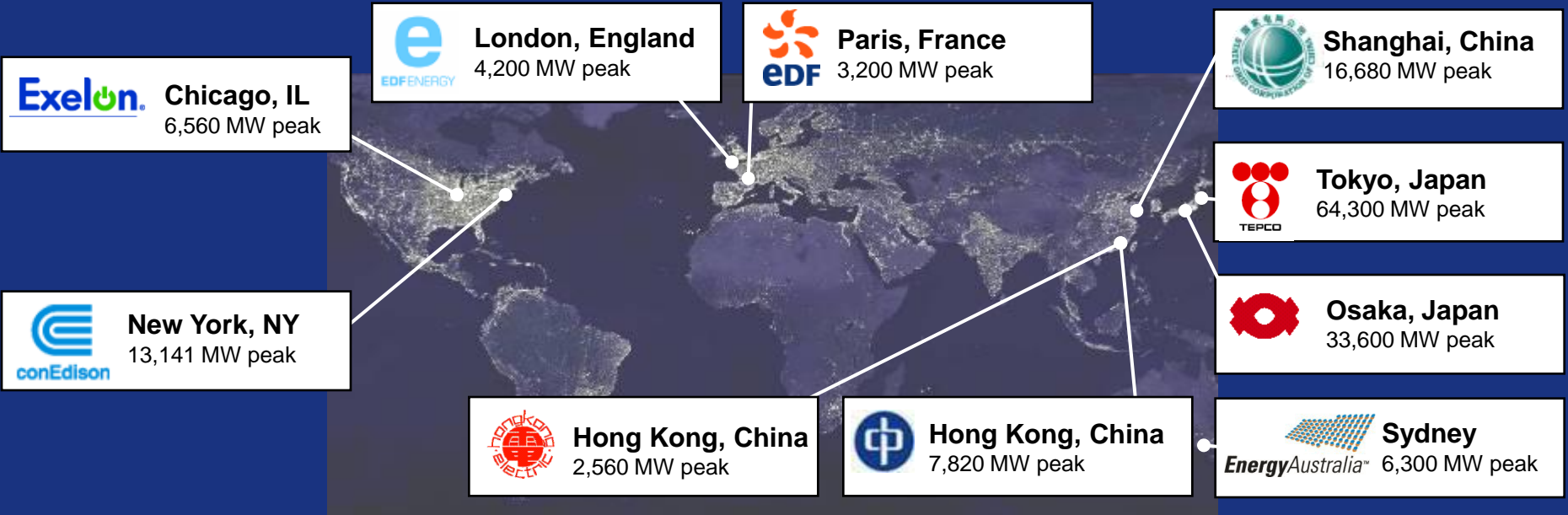


Con Edison

Louis L. Rana

Grid Week
April 25, 2007

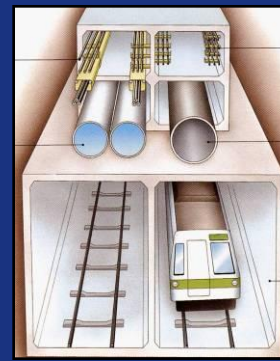
International Benchmarking



Automatic distribution reconfiguration



Underground substation construction



Multi-utility tunnels

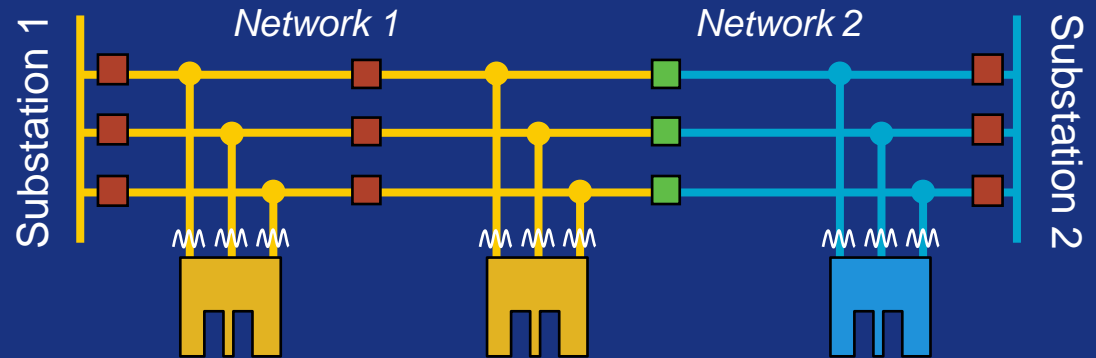


SF₆ insulated distribution transformers²

Smart Grid Vision

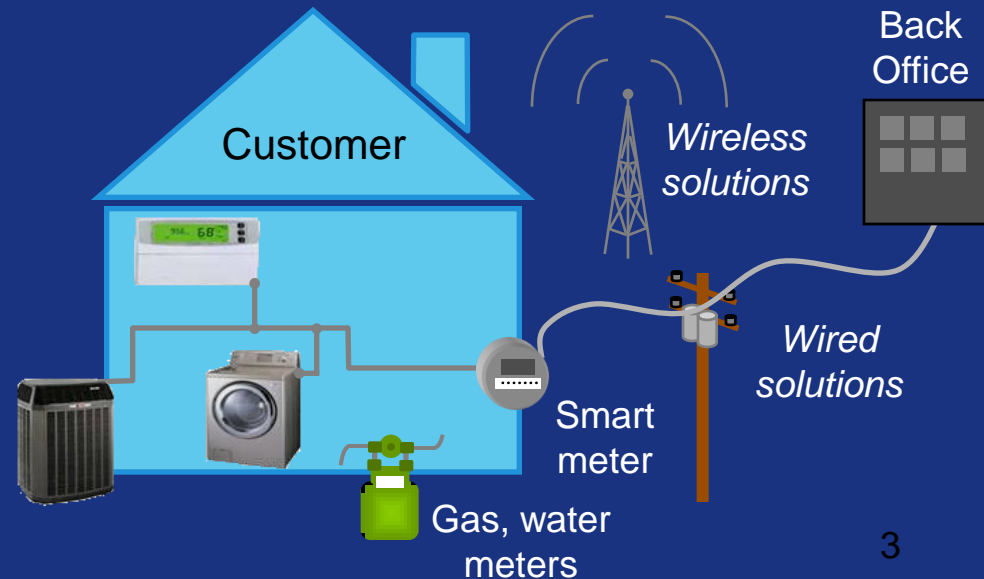
- **Asset sharing**

- Increase asset utilization
- Improve operating flexibility
- Defer installation of new substations



- **Advanced communication & control**

- Fault location & reconfiguration
- Smart meters
- Outage detection
- Enhanced hourly pricing





Con Edison

Louis L. Rana

Grid Week
April 25, 2007